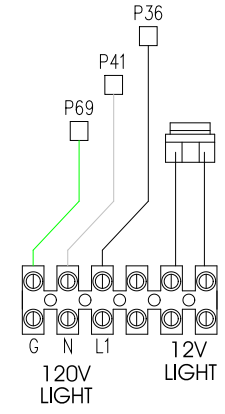
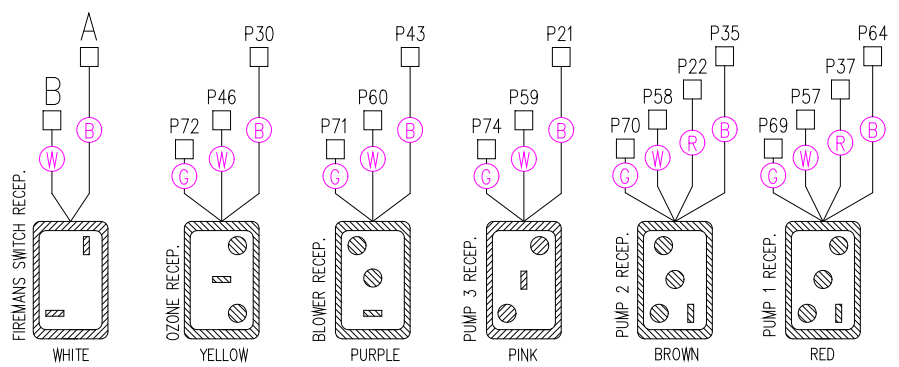
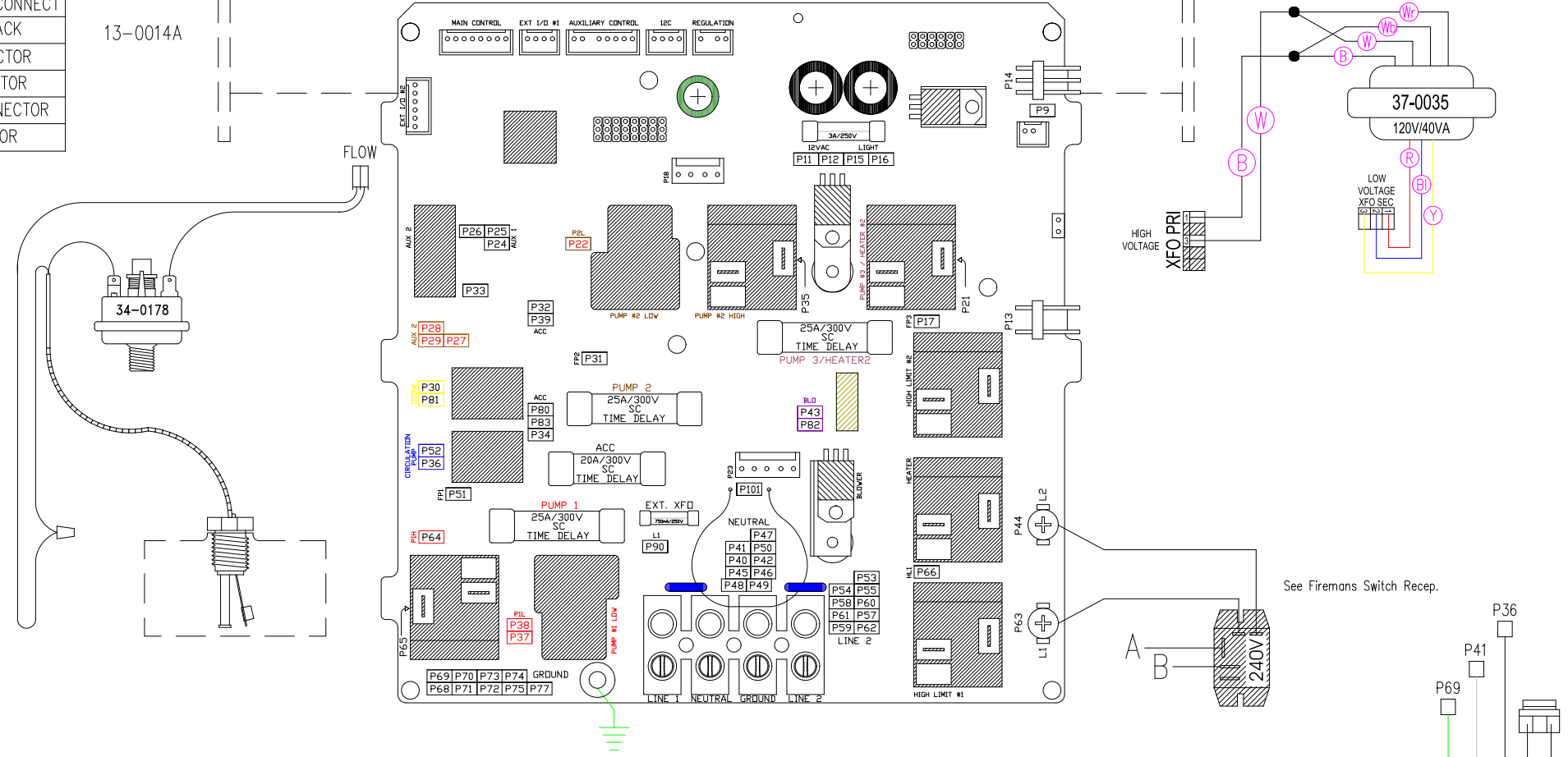


LEGEND	
□	- 1/4" QUICK CONNECT
▢	- 1/4" PIGGYBACK
⊞	- FORK CONNECTOR
○	- RING CONNECTOR
⊞	- SOCKET CONNECTOR
△	- PIN CONNECTOR

13-0014A

33-0027



**HYDRO-QUIP**  
CORONA, CA (909) 273-7575

Manufacture Notes:

Dwg. No.  
**G822A0-KLPQY-J**

Drawn	Rev
BH	1
Date	07.20.05
Diagram No.	5150

Wire Color Code	
B - Black	G - Green
Br - Brown	Bl - Blue
R - Red	V - Violet
O - Orange	W - White
Y - Yellow	Gr - Gray